

**SPECIFICATION:INNER VEST (DIGITAL COMBAT T-SHIRT)**

**Specifying Item and Quantity**

1. **Item.** Inner Vest (Digital Combat T-Shirt)
2. **Country of Manufacturer.** Bangladesh.
3. **Name of Manufacturer.** To be mentioned.
4. **Quantity :** 1,00,000 Nos.
5. **Color of digital combat print:** Must be follow the Pantone Color.

S.No	Color	PANTONE® Color Name	PANTONE® Number
1.	Grey	Sharkskin	17-3914 TCX
2.	Deep Ocean	Stargazer	19-4316TCX
3.	Olive	Urban Chic	19-5004TCX
4.	Dark Navy	Dark Sapphire	19-4020TCX

6. **Type of Print.** Reactive Print.
7. **Print Quality.** Digital combat print will be sharp and spot free as per approved design.
8. **Design of the Digital Combat Print:** As per approved design.
9. **Source of Raw Materials:** To be mentioned
10. **Quantity:** As per following Size

Size	Quantity (No)
Small	8,000
Medium	32,000
Large	35,000
Extra Large	20,000
Extra Extra Large	5,000
<b>Total</b>	<b>1,00,000</b>

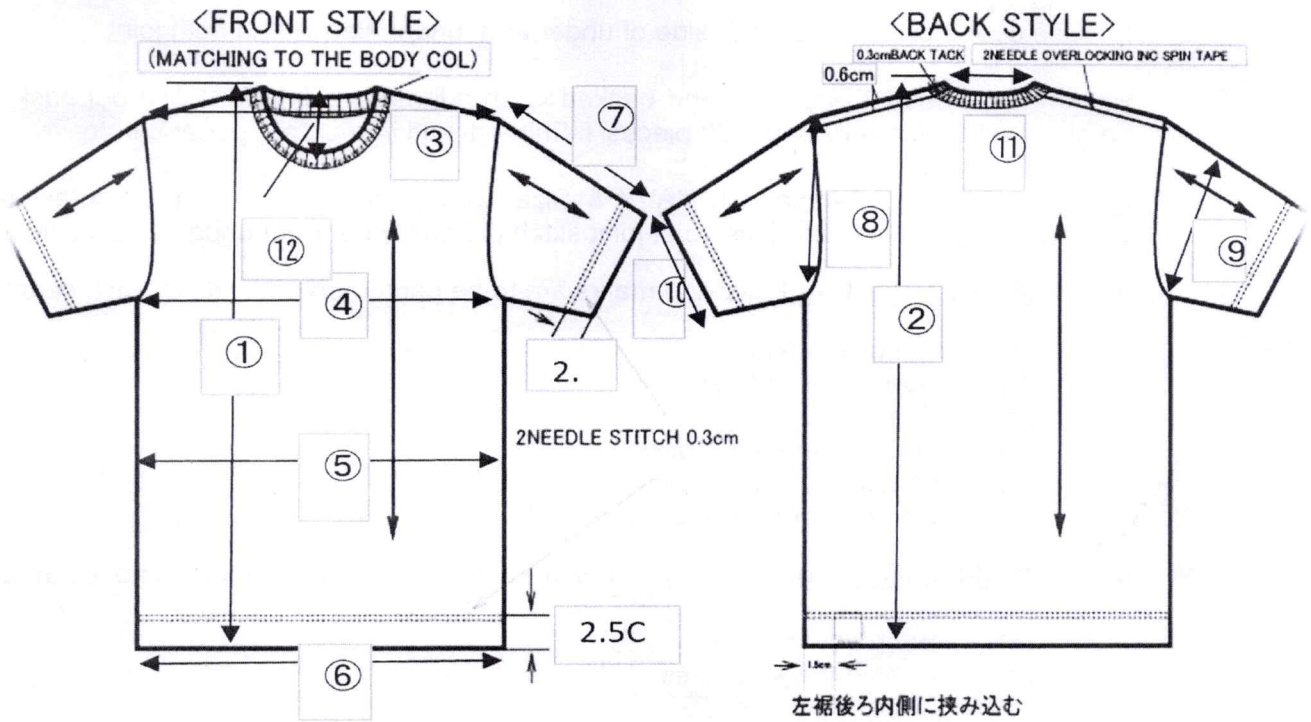
11. **Material (Method ISO 1833).** : 100% Cotton.
12. **Type of Weave.** Single Jersey.
13. **Neckline Binding and Sleeve hem.**
  - a. Construction of Material: Rib (as per approved sample).
  - b. GSM: 140 gm + 5 gm.
  - c. Print: as per Approved Design.
14. **Weight /Square Meter in gm (Method: ISO 3801).** 140 gm ± 5 gm
15. **Count of Yarn (Method: ISO 7211-5).** 32<sup>s</sup> ± 2<sup>s</sup>(Combed yarn).



16. **Color of Sewing thread:** Navy Blue/ Black.
17. **Dimensional Stability to Washing (Method ISO 6330).** ± 5% (Maximum).
18. **Color Fastness to Wash:** (Method: BS ISO 105 C10 E(5) single test, 4 hours mechanical wash at 95° in 5g soap detergent, 2g sodium carbonate with 10 steel ball).  
Color Change. 3-4.
19. **Color fastness to rubbing (Method: BS EN ISO 105-X12).**
- |    |          |    |
|----|----------|----|
| a. | Dry rub: | 4. |
| b. | Wet rub: | 3. |
20. **Color Fastness to light (Method: AATCC 16.3, 48 AFU).**  
Gray scale rating: 3.
21. **Color Fastness to perspiration (Method: ISO 105-E04).**  
Rating: 4.
22. **Pilling (Martindale): (Method: BS EN ISO 12945-2, 2000 Rev).** Grade 4.
23. **Bursting Strength Test:** To be mentioned.
24. **Used chemical for dye must be:**
- |    |                    |
|----|--------------------|
| a. | AZO free.          |
| b. | Formaldehyde free. |
| c. | Heavy metal free.  |
25. **Hand Feel.** Hand feel must be soft and comfortable to wear as per approved sample.
26. **Outlook of Cloth.** Vest is to be spot free, same shade, smooth finish and free from knitting fault. Stitch is to be fine and any kind of welter free.



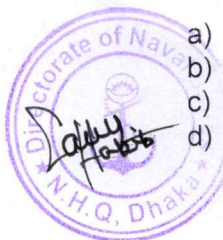
27. **Measurements:** Must be as per following Measurements.



Ser.	Description	Size					±
		Small	Medium	Large	Extra Large	Extra Extra Large	
1.	Body Length Front (NP)	70.0 cm	72.0 cm	74.0 cm	76.0 cm	78.0 cm	± 1.0 cm
2.	Body Length Back (NP)	70.0 cm	72.0 cm	74.0 cm	76.0 cm	78.0 cm	± 1.0 cm
3.	Shoulder Width	41.0 cm	43.0 cm	45.0 cm	47.0 cm	49.0 cm	± 1.0 cm
4.	Chest Width	47.0 cm	49.0 cm	51.0 cm	53.0 cm	55.0 cm	± 2.0 cm
5.	Waist Width	47.0 cm	49.0 cm	51.0 cm	53.0 cm	55.0 cm	± 2.0 cm
6.	Bottom Width	47.0 cm	49.0 cm	51.0 cm	53.0 cm	55.0 cm	± 2.0 cm
7.	Sleeve Length	19.0 cm	20.0 cm	21.0 cm	22.0 cm	23.0 cm	± 0.5 cm
8.	Armhole	21.0 cm	22.0 cm	23.0 cm	24.0 cm	25.0 cm	± 1.0 cm
9.	Sleeve Width	19.0 cm	20.0 cm	21.0 cm	22.0 cm	23.0 cm	± 0.5 cm
10.	Sleeve Hem Opening	15.5cm	16.5 cm	17.5 cm	18.5 cm	19.5 cm	± 0.5 cm
11.	Back Neck Width in to in	11.5 cm	12.5 cm	13.5 cm	14.5 cm	15.0 cm	± 0.5 cm
12.	Front Neck Depth	8.5 cm	9.0 cm	9.5 cm	10.0 cm	10.5 cm	± 0.5 cm
13.	Collar Width	1.9 cm	1.9 cm	1.9 cm	1.9 cm	1.9 cm	-
14.	Sleeve Hem Stitch Length	2.0 cm	2.0 cm	2.0 cm	2.0 cm	2.0 cm	-
15.	Body Hem Stitch Length	2.0 cm	2.0 cm	2.0 cm	2.0 cm	2.0 cm	-
16.	Sleeve Hem Width	2.0 cm	2.0 cm	2.0 cm	2.0 cm	2.0 cm	-

28. **Special Requirements:**

- Enzyme treatment to remove the hairiness.
- "Enzyme silicon" wash basic fabrics must be use for T-Shirt.
- Hand feel of fabrics must be soft and smooth.
- All T-Shirt must be free from all kinds of naps, slubs, knitting fault, stitch and dyeing/printing fault.

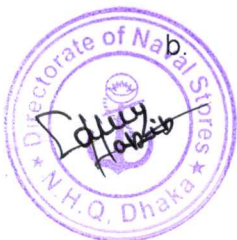




- e) Use double row Flat lock stitch for Neck binding, under length binding, sleeve binding and solder stitch.
- f) Use over lock stitch for both side of under arm, under sleeve and both joint.
29. **Packaging.** Each T-Shirt fold and packed in an adhesive poly bag. Silica gel packet should be given with each poly bag. 100 pieces T-Shirt packed in a proper paper carton.
30. **Marking (T-Shirt).** Bangladesh NAVY & Size will be print with T-Shirt. Manufacturer name with care label will attached inside of joint stitch (10 cm upper from under length binding).
- a. **Marking (Carton).** Following marks are to be printed on one side of each carton:
- (1) Supplier's name.
  - (2) Supplier's address.
  - (3) Item Name.
  - (4) Quantity in each Carton.
  - (5) Production month and year.
  - (6) Contract/purchase order no.
- b. **Marking (Carton).** Following marks are to be printed on another side of each carton:
- (1) Bangladesh Navy.
  - (2) Consignee's address.
31. **Delivery Schedule.** Item are to be delivered at supplier's cost and risk to consignee as per following delivery schedule:

Consignee	Installment	Delivery time after signing the contract	Quantity by Size (No)					Total
			S	M	L	XL	XXL	
CO NSD Ctg	01 (One)	180 Days	8,000	32,000	35,000	20,000	5,000	1,00,000

32. **Warranty.** Supplier is to give warranty certificate Inner Vest (Digital Combat T-Shirt) which should clearly fulfill following requirements:
- a. 24 (Twenty Four) months self life(from the date of acceptance) against material and color i.e. color and material quality will remain unchanged for 24 (Twenty Four) months in normal storage condition. If the color becomes faded or material condition deteriorates or any defective item is detected at any time during the warranty period then supplier is to replace defective vest free of cost to the buyer.
33. **Quality Assurance Certificate.** Quality assurance certificate from the manufacturer is to be given along with the consignment.
33. **Inspection by CINS.**
- a. CINS will inspect Inner Vest (Digital Combat T-Shirt) at factory premise:
- (1) Quality of material.
  - (2) Quantity.
  - (3) Design and outlook.
  - (4) Laboratory test (as required) to examine compatibility of material of Fabric with contract specification.
- b. Supplier will bear following cost during inspection:
- (1) Fabric used for test.
  - (2) Laboratory testing charge, if any.
  - (3) Labor cost, if any.



34. **Inspection by Consignee.** At the time of delivery consignee will inspect the following:
- Packaging.
  - Marking.
  - Quantity.
  - Warranty certificate.
  - Quality assurance certificate.
  - Endorsement of CINS as to inspection and acceptance.

**Other Required Information for Bidders**

35. **Evaluation of Offer(s).** For the purpose of acceptance, tender offer will be evaluated on the basis of following:
- Washing test.
  - Rubbing test.
  - Calendaring/ironing after washing.
  - Material test in laboratory (as required) to examine compatibility of material of supplier's sample with specification.
  - Color fastness.
  - Price.
36. **Supplier's Service and Responsiveness.** Supplier must reply to buyer's query within 03 days of raising the query.
37. **Payment.** Payment will be made in BDT as per DGDP regulations.
38. **Liquidated Damage (LD).** LD will be applicable as per DGDP regulations.
39. **Sample Submission.** Bidder is to submit 05 in no (Large sizes) inner vest and 2 meter fabric along with tender offer as sample. Vest will be used for test. Supplier is to provide required quantity of item for lab test. Item quantity is taken for lab test is non-refundable. If Supplier fail to submit above mention size than sample will be rejected.

**NOTE**

- ক। হাতে এবং কলারে অনুমোদিত নমুনার ন্যায় রিব ব্যবহার না করিলে স্যাম্পল গ্রহণযোগ্য হবে না।
- খ। Hand Feel অনুমোদিত নমুনাটির ন্যায় সফট হতে হবে।
40. **Validity of Offer Required.** 180 days from the date of opening tender.
41. **Price Quotation.** Price is to be quoted in BDT as follows:

Item	Deno	Qty (No)	Unit Price (Taka)	Total Price (Taka)
Inner Vest (Digital Combat T-Shirt)	No.	1,00,000		

42. **Compliance.** A compliance statement fulfilling all the requirement of the tender is to be submitted for evaluation of the quotations. Stating mere Yes or No will not suffice and detailed description/information as required is to be given. An incomplete compliance statement may attribute to cancellation of the offer. If any clause of this specification does not commensurate with Inner Vest (Digital Combat T-Shirt). The deviation has to be spelt out clearly.



**M SARWAR HABIB**  
Lt Commander BN  
Staff Officer (NS-2)  
Naval Headquarters  
Banani, Dhaka-1213

100  
100  
100  
100