

RESTRICTED

INSPECTORATE OF GENERAL STORES & CLOTHING
DHAKA CANTONMENT

SPECIFICATION NO: IGS&C/GS/945

DT: 06 NOV 2016

DRG NO: BD GS PD-1636

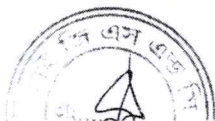
VOCAB SECTION: KC

CAT/PART NO: BKC-8336

NOMENCLATURE: BLANKET DOUBLE FOR JCO &OR

(Supersession of previous specification no- IGS&C/GS/748 Drg No- BD GS PD-1510 Dt.13 May 2015).

Ser.	Description	Specification
1.	Material	: 100% Polyester (Anti pilling)
2.	Colour	: Blue (Pantone color code- 19-3921 TCX)
3.	Weight per sq metre	: 300±10 gm (Each layer)
4.	Weight per Blanket	: 3200±50 gm
5.	Length	: 250.0 ± 10.0 cm
6.	Width	: 200.0 ± 5.0 cm
7.	<u>B.S (BG 16.82 X 16.82) cm.</u>	
a.	Warp	: 205 ± 5 kg Each layer
b.	Weft	: 105 ± 5 kg
8.	<u>Hemming (Blue).</u>	
a.	Description	: All sides of two layer of the blanket will be secured with knitted cloth of 2.5 cm width, both face seamed by flat lock stitching with same colour thread.
b.	Material	: 100% Polyester
c.	Type of weave	: Knitted
d.	Wt/Sq metre	: 125 ± 5.0 gm
e.	Denier of Yarn	: 80 ^d
f.	No of Wales/2.54 cm	: 37/38 nos
g.	No of Course/2.54 cm	: 46/47 nos
h.	Width of Hem	: 2.5 cm
j.	Material of sewing threads	: Polyester
k.	Denier of sewing threads	: 2/138 ^d ± 2 ^d
9.	<u>Dye Fastness to Washing Test no-2</u>	: Grey scale rating 5
a.	Reagent - 0.2% Free Alkali soap	
b.	Temperature - 60 ^o C	
c.	Time - 1 ¹ / ₂ hours	
10.	<u>Dye Fastness to Washing Test no-4</u>	: Grey scale rating 5
a.	Reagent - 0.5% Free Alkali soap & 0.2% Soda	
b.	Temperature - 93 ^o C	
c.	Time - 4 hours	
11.	<u>Dye Fastness to Sunlight test (72 hours)</u>	: Grey scale rating 5
12.	Resistance to pilling & abrasion	: Grade should be 3 (Min)
13.	Feel & Finishing	: Should be smooth & soft.
14.	Source of Supply	: Local/Foreign.



1
RESTRICTED



RESTRICTED

15. Carrying bag for blanket

- a. Material : Transparent plastic
- b. Thickness of plastic : 0.4 mm
- c. Size of bag (L x H xW) : 52 cm x 42 cm x 16 cm
- d. Size of handle (L x Cr) : 38 cm x 3.5 cm (Polyester Cord)
- e. Distance of joint portion of handle from top : 3 cm
- f. Distance between two joint portion of handle : 12 cm
- g. Dia of GI wire used in the hem both side of bag : 2 mm
- h. Length of chain : 142 cm
- j. Color of chain : Any color (Nylon)

16. Important Instructions.

- a. Each blanket should have two layer and both side of each layer should be raised.
- b. Blanket with knitting defects, missing threads, uneven raising, hard raising, thick & thin will not be accepted.
- c. Shade variation from blanket to blanket will not be accepted.
- d. Shade variation within sewing thread, hemming cloth and basic blanket will not be accepted.
- e. The corner of the blanket must be round shaped as per approved sample held in IGS&C, Dhaka Cantt.
- f. Raising of the blanket should be uniform throughout the blanket. The raising should be so firm that it should not be pulled off with normal pull or rubbing.
- g. In case of local sourcing there should be an agreement between supplier and manufacturer where supplier will produce product from a specific factory (Maximum three factories can be nominated by the supplier to avoid unforeseen situation for which the primarily selected manufacturer or factory owner by the supplier might not be able to run the factory/machineries; i.e natural disaster, unavoidable mechanical failure of machines etc) and submit with Tender. Later the supplier will produce 100% product from the same factory. The supplier must submit one copy of this agreement initially at DGDP. The supplier will submit the final agreement on stamp between supplier and manufacturer to DGDP while contract is being processed with DGDP.

17. Packing & Marking.

- a. Each blanket should be packed in a carrying bag with 02 (Two) Naphthalene ball (large size) inside it. Such 06 (Six) blanket should be packed in a proper size 09 (Nine) ply brown colour corrugated paper carton with securing two Poly band strap joint by Metallic Clamp.
- b. Drop Test for Carton: Carton used for packing should be of high quality standard. The carton should not crack in drop test while it is filled up with concerned products in concerned quantity and dropped for three times from two metre height in any direction.
- c. A label mentioning the word "**SENABAHINI**", Name of Firm, Name of Item, Month and Year of manufacture of the item and also mentioning the washing/cleaning instruction to be stitched at one corner of the Blanket.

18. Marking on Carton to be done as under.

One side

- a. SENABAHINI
- b. Nomenclature of the store.
- c. Colour of the Blanket.
- d. Qty packed.
- e. Contract no. & date.
- f. Firm's name & Address.

Another side

Address of the consignee.



RESTRICTED

2/2

19. **Warranty/Guarantee.** The warranty/guarantee period of the store will be 36 (Thirty six) months from the issue of 'inspection note' by IGS&C. In this regards the manufacturer/supplier should provide a warranty/guarantee certificate regarding durability of the supplied store if found abnormally defective within 36 (Thirty six) months being stored or in practical use (Under normal use with standard washing). The defective blankets should be replaced by the manufacturer/supplier at their own cost within 30 (Thirty) days as the case arises.

20. **Quality Inspection by Supplier.** Supplier to provide a certificate (Along with challan) that they have carried out a comprehensive quality inspection at their end and they are fully confirmed and satisfied about the fol:

- a. Products are produced/manufactured as per specification.
- b. Products are tested/inspected as per the specified testing mentioned in this specification and found correct.

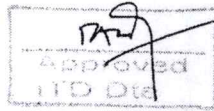
21. **Tender Sample.** 02 (Two) nos of blanket with carrying bag and 03 (Three) metre material sample to be submitted as tender sample.

22. **Advance Sample.** 02 (Two) nos of blanket with carrying bag & packing material to be submitted as advance sample.

Recommend by



MD. SHARIF HOSSAIN
Col
Chief Inspector

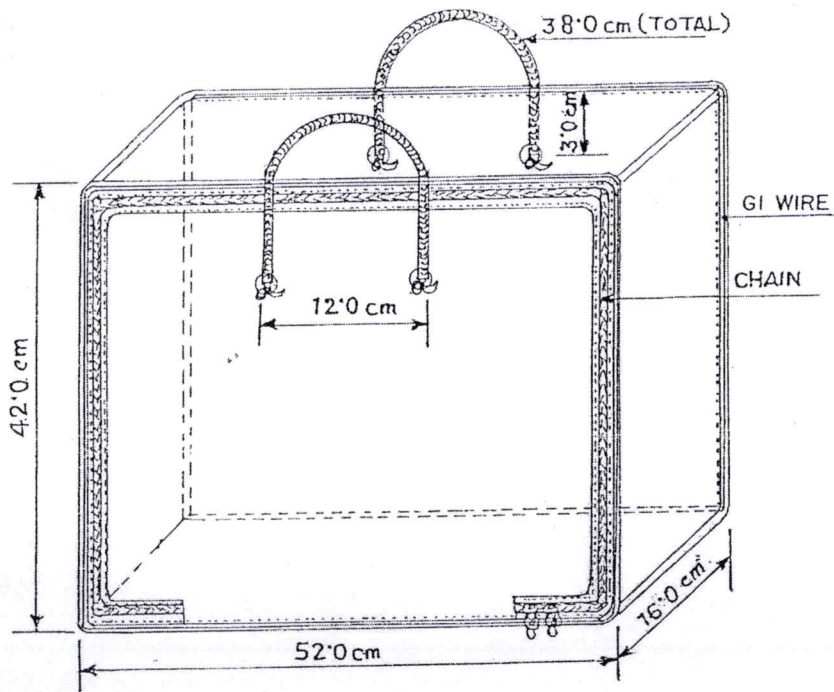


APPROVED BY



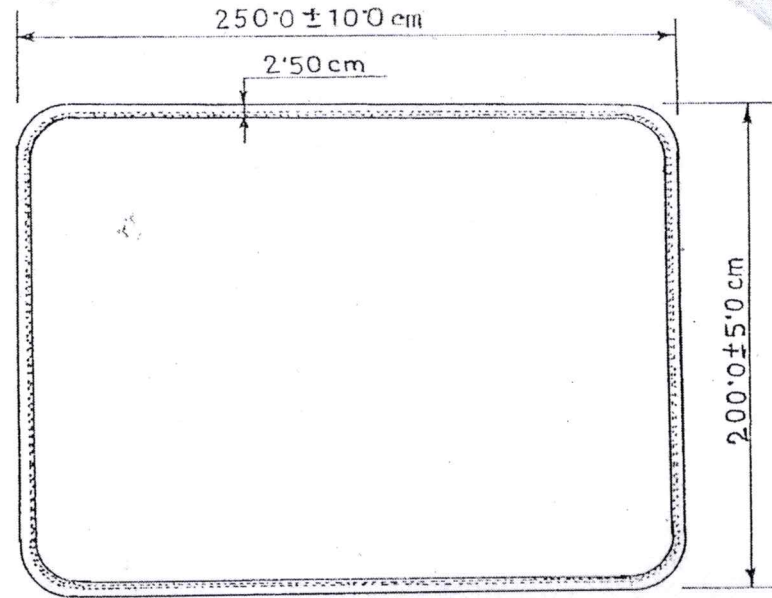
3
RESTRICTED





Carrying bag

Material : Transperant Plastic



Blanket

Material:100% polyester (Anti Pilling)

Colour – Blue

Colour of Sewing Threads – Blue



Approved
:TD Die

DRAWN	<i>[Signature]</i>	TITLE: Blanket Double For JCO & OR	IGS&C DHAKA CANTT
COMPARED	<i>[Signature]</i>		
CHECKED	<i>[Signature]</i>		DRG NO BDGS PD-1636
PASSED	<i>[Signature]</i>		
RECOMMEND	<i>[Signature]</i>		
APPROVED		NOT TO SCALE	
DATE			

